

# NHS-HE Connectivity

Real Examples of Inter-Operation

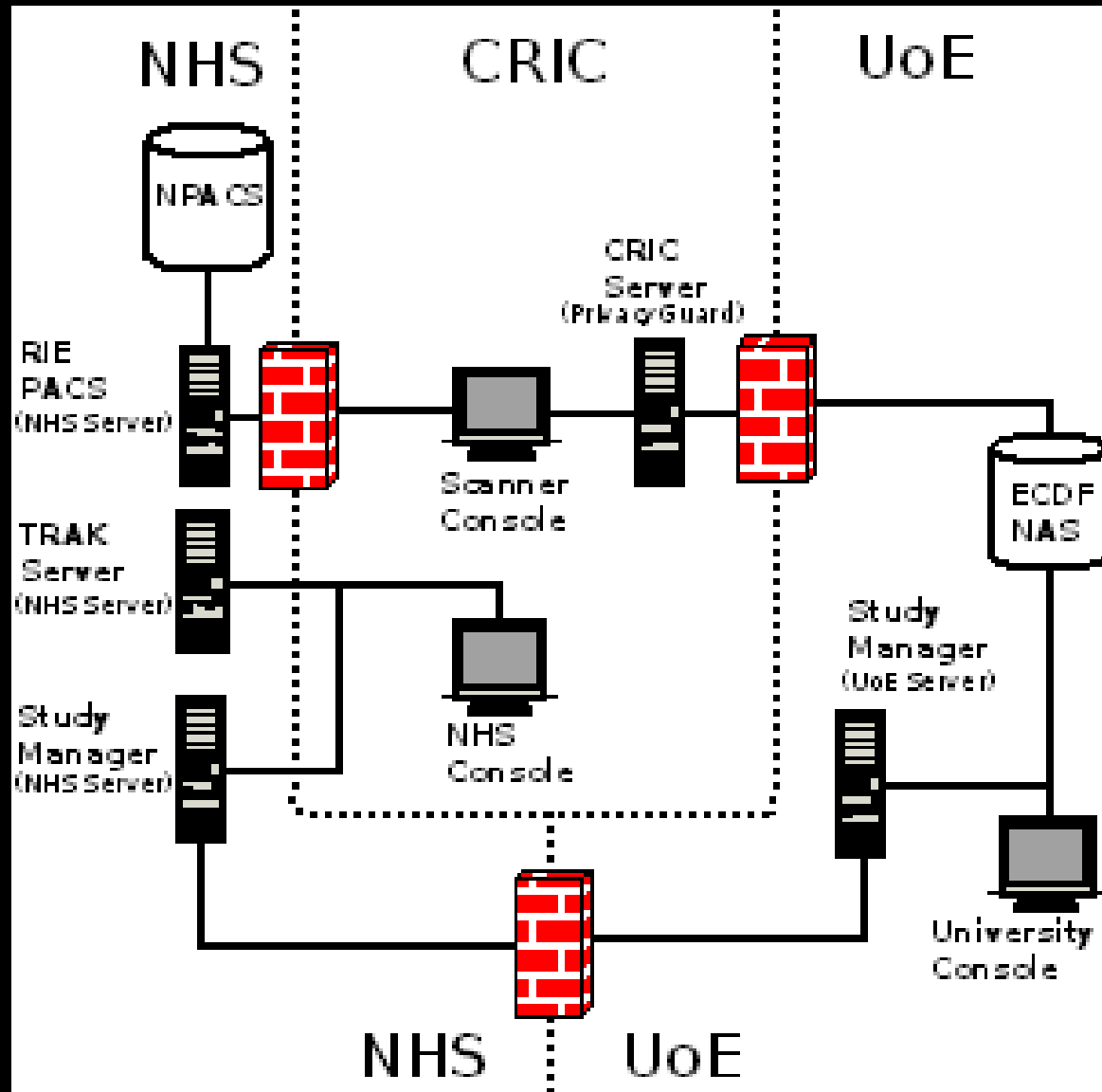
# CRIC-Overview

- Situated at QMRI Little France
  - 64 Slice PET/CT Scanner (Siemens)
    - Cyclotron and labs for tracer production
  - 3T MRI (Siemens)
  - 320 Slice CT Scanner (Toshiba)
- Provides imaging for:
  - NHS services
  - Research in patients
  - Research in volunteers

# Data Transfer / Information Governance

- Radiography staff have honorary contract
  - Stipulates rules for accessing patient data
  - Agreement to abide by those rules
- Key research staff have letters of research access
- All others have only access to anonymous data
- Network connections and workflows covered by memorandum of understanding

# CRIC – Infrastructure



# CRIC – Future Work

- Subject and patient bookings entered in TRAC (RIS) and StudyManager separately
  - May be possible to use HL7 to update relevant systems within NHS
- On completion of scanning relevant data sent to separate destinations manually
  - May be possible to use routing based on project imaging protocols
- Use of Enhanced CT and MR IOD not possible at moment
  - Would solve large number of small files problem for storage systems

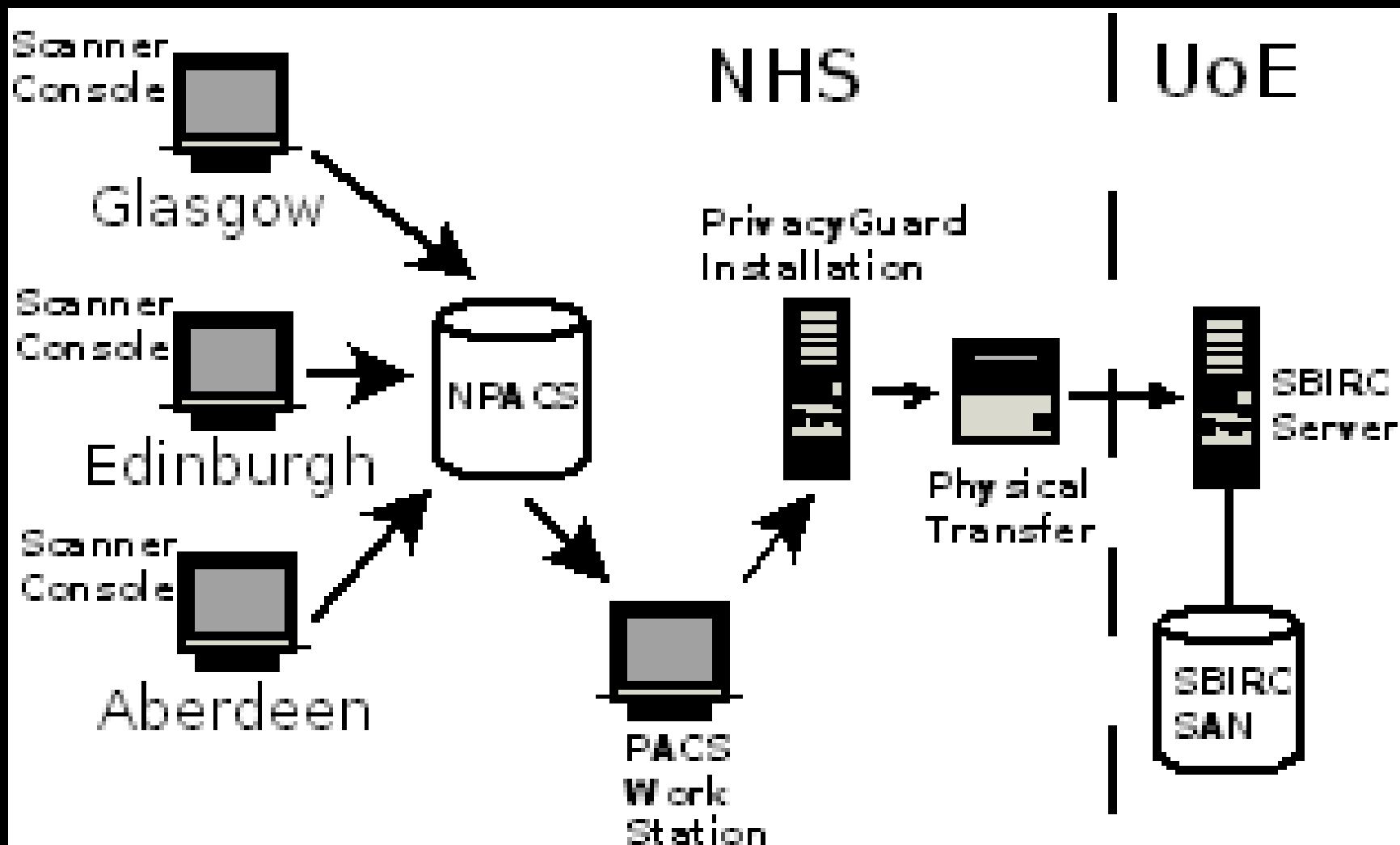
# CRIC - Summary

- All patient identifiers stored within NHS
- Research data is anonymous to UoE staff
- Data automatically de-identified by PrivacyGuard-StudyManager linkage
- PrivacyGuard used to implement data consolidation and transfer to ECDF NAS

# Salvageable Tissue Study - Overview

- Multi-centre study in acute stroke patients
- Three centres for recruitment
  - Glasgow (CT - NHS, MR - NHS)
  - Edinburgh (CT - NHS, MR - University)
  - Aberdeen (CT - NHS, MR - University)
- Data required for on going clinical care
  - Acutely unwell patients need to be in clinical environment

# Salvageable Tissue Study - Infrastructure





# Salvageable Tissue Study - Summary

- Utilises National NHS PACS for collection
  - May be better to send data from each site to central PrivacyGuard
- Patient clinical data collected separately for study
- As with the CRIC:
  - Patient identifiers stored within NHS
  - Research data is anonymous to HE staff
  - Data automatically de-identified by PrivacyGuard

# Acknowledgements

- NHS Lothian
  - Martin Egan
  - Ted Boyle
  - Graham Ewing
  - Gavin Greg
  - Mandy Creighton
  - Greg Davies
- NHS ISD
  - Patricia Rudy
  - John Potts
- NHS-HE
  - Malcolm Teague
- WTCRF/CRIC
  - Elizabeth McDowell
  - Julian Sparrow
  - Dickon Jackson
- SINAPSE
  - David Rodriguez
  - Janet DeWilde
- NESCS
  - Jano Van Hemert
- SBIRC
  - Martin Connell
  - Joanna Wardlaw